

4

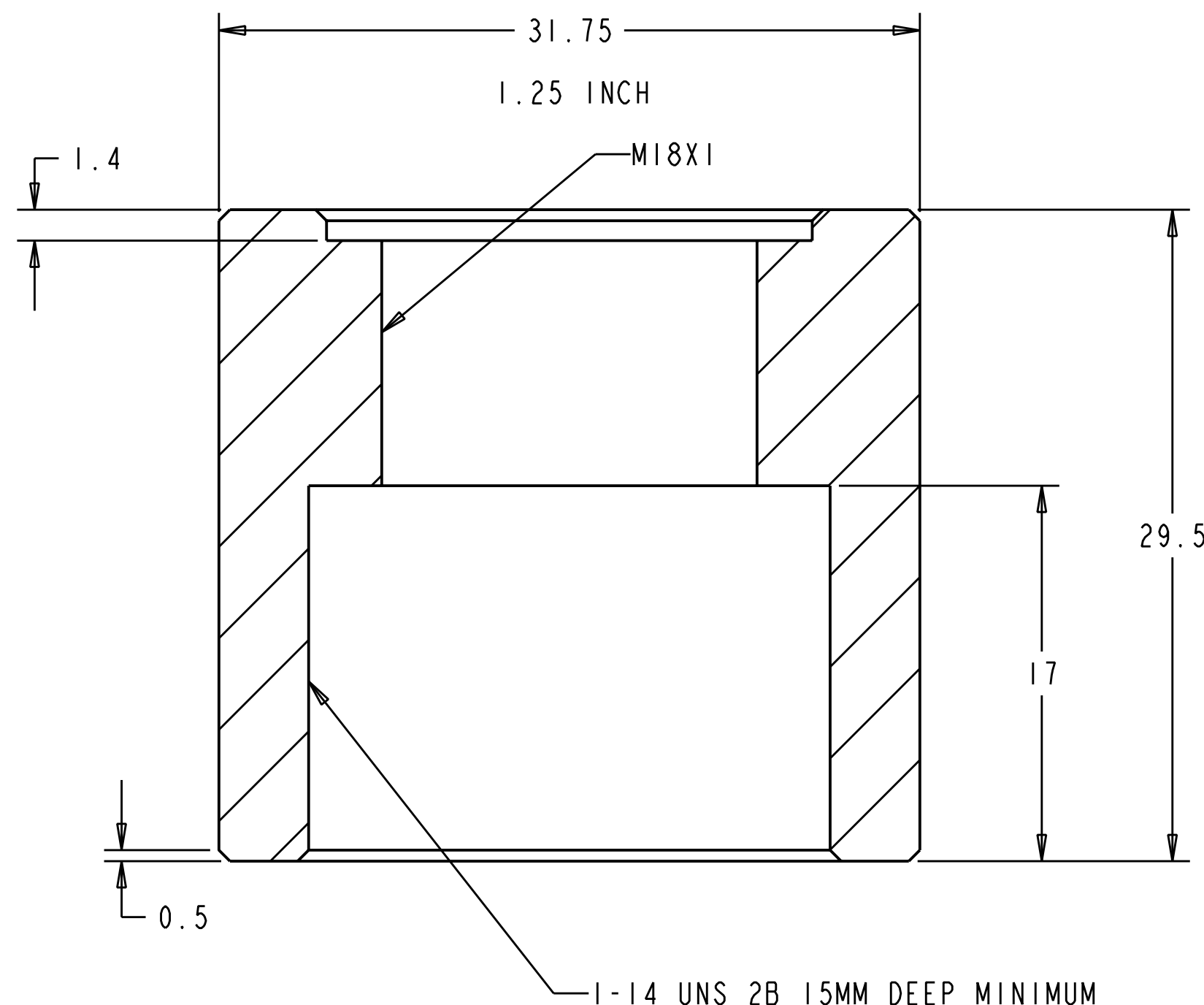
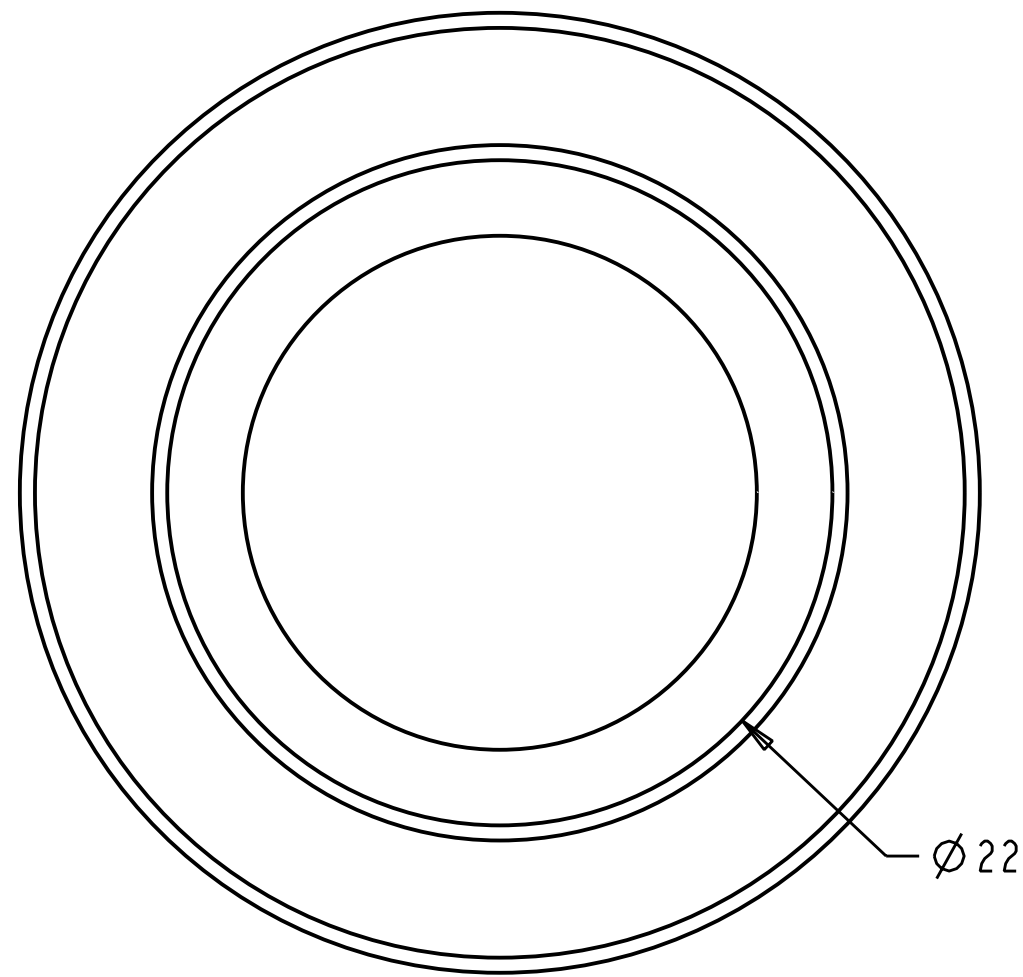
3

2

1

THIS DOCUMENT AND THE INFORMATION CONTAINED HEREIN IS CONFIDENTIAL AND IS NOT TO BE REPRODUCED, USED OR DISCLOSED IN WHOLE OR IN PART WITHOUT THE EXPRESS WRITTEN PERMISSION OF TALLYSMAN WIRELESS INC.

REVISIONS				
ZONE	REV	DESCRIPTION	DATE (DA-MO-YR)	APPROVED
	01	INITIAL RELEASE	04 APR 16	M G
	02	29.5 WAS 28.0	11 MAY 16	M G



SECTION A-A
SCALE 4.000

NOTES:

- UNLESS OTHERWISE SPECIFIED, ALL DIMENSIONS ARE IN MILLIMETRES.
TOLERANCES:
1 DECIMAL PLACE ± 0.1
2 DECIMAL PLACES ± 0.05
ANGLES ± 1°
- TO CONVERT MILLIMETRES TO INCHES
USE 25.40 MILLIMETRES = 1 INCH.
- MATERIAL: 1.25" ALUMINUM 6061-T6511 EXTRUDED ROD
- FINISH: CLEAR CHROMATE CONVERSION

THIRD ANGLE PROJECTION		Tallysman Wireless Inc.	
PMIC		TW3000 PIPE ADAPTER M18 TO 1"	
GEN. BY B DOLAN	DATE (Y-M-D) 28 MAR 16		
REVIEWED BY M GRINSTEAD			
PROJECT 3000	SIZE C	CAGE CODE	DRAWING NUMBER 23-0110-0
NEXT ASSEMBLY	SCALE	UNIT WT	SHEET 1 OF 1

4

3

2

1